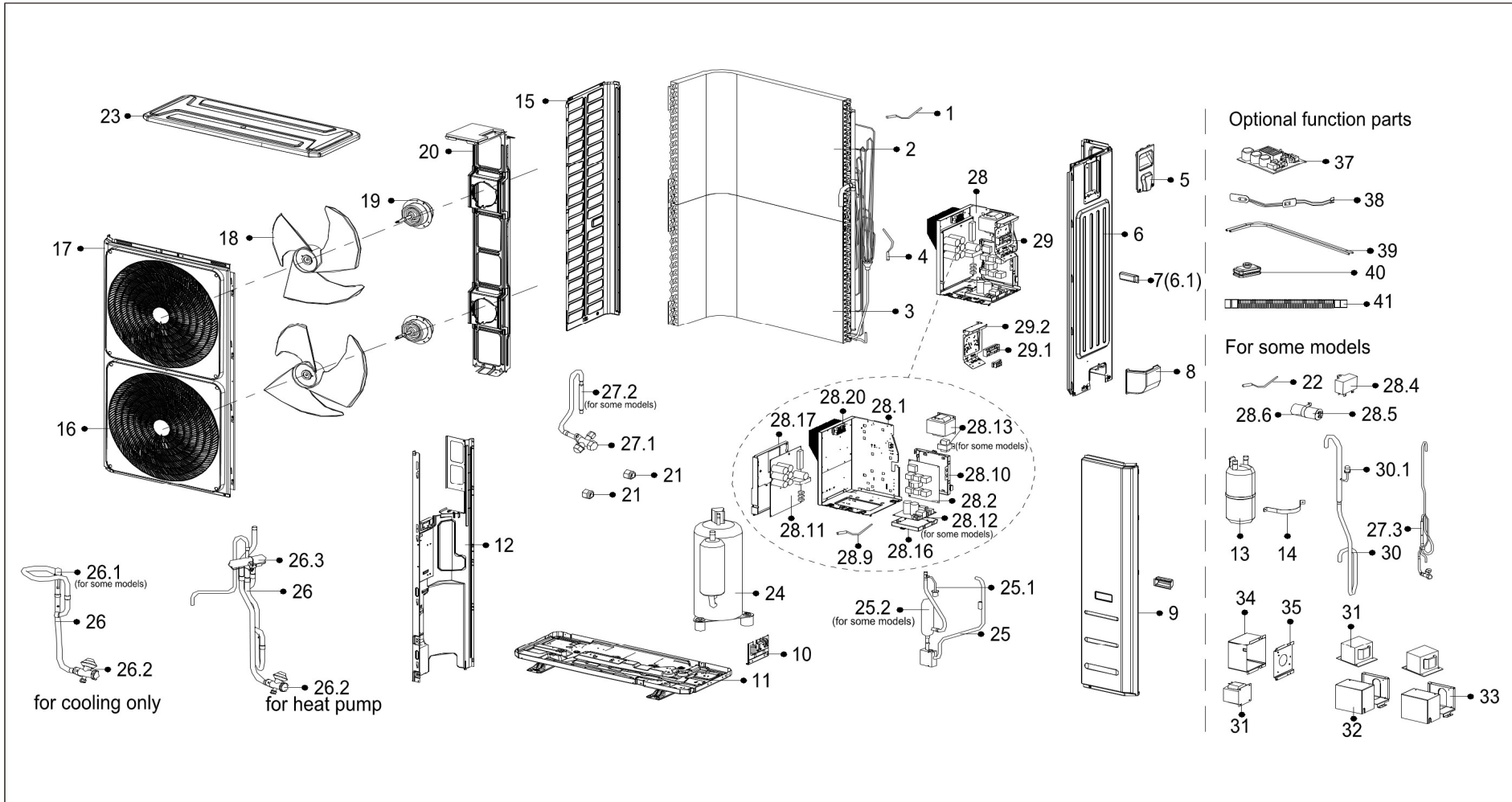


Exploded View

Product code:
Customer model:

22022716001315
KFS-50HRFO



EX_ID	Spare Parts Code	Part Name(EN)	Qty.	Min Shipments	Part Status	Remarks	Long Term Material(Y or N)	High Rate of Replacement(Y or N)
1	11201007003448	Room temperature sensor	1		In use			
2	15822000008307	Condenser assembly	1		In use			
3	15822000008309	Condenser assembly	1		In use			
4	11201007003439	Pipe Temperature Sensor	1		In use			
5	12122000017001	Big handle assembly	1		In use			
6	12222200004215	Rear right clapboard assembly	1		In use			
6.1	12100702000038	handle	1		In use			
8	12122000014023	Water collector	1		In use			
9	12222000006287	Front right clapboard assembly	1		In use			
10	12222200002361	Valve plate	1		In use			
11	12222000006290	Chassis assembly	1		In use			
12	12222000005733	Partition board assembly	1		In use			
13	15500508000009	Liquid-storage tank	1		In use			
15	12222200002363	Left side plate assembly of cabinet	1		In use			
16	12122000020244	Air outlet grille	2		In use			
17	12222000006291	Front panel	1		In use			
18	12100105000022	Axial flow fan	2	0	In use		N	Y
19	11002015002241	Brushless DC Motor	2		In use			Y
20	12222000006288	Supporter subassembly of fan motor	1		In use			
21	15500406000003	Copper nut	1	0	In use		N	N
21	15500406000010	Copper nut	1	0	In use		N	N
22	11201007003124	Discharge Temperature Sensor	1		In use			
23	12222200002359	Top cover assembly	1		In use			
24	11103020002859	DC Inverter Rotary Compressor	1		In use			
25	15123000008507	Discharge pipe assembly	1		In use			
25.1	17400516000020	Pressure switch	1		In use			
26	15423000002958	4-way valve assembly	1		In use			
26.2	15500204000061	Gas valve	1		In use			

26.3	15500216000681	4-way valve	1		In use			
27	15422000015574	Liquid valve assembly	1		In use			
27.1	15500208000286	Liquid valve	1		In use			
27.3	15500213000245	Electronic expansion valve	1		In use			
28	17222000029125	Electronic control box subassembly	1		In use			
28.1	12222000006289	Installation plate of electric parts subassembly	1		In use			
28.2	17122000045920	Outdoor main control board subassembly	1		In use			
28.9	11201007003427	Discharge Temperature Sensor	1		In use			
28.10	12122000014021	Electronic installing box	1		In use			
28.11	17122000021908	Inverter control board subassembly	1		In use			
28.12	17122000039408	Filter board subassembly	1		In use			
28.13	17400306000032	Reactor	1		In use			
28.14	174012030000936	Compressor wire subassembly	1		In use			
28.16	12122000014182	Electronic installing box	1		In use			
28.17	12122000014022	Electronic installing box	1		In use			
28.20	11201418000002	Rectifier bridge	1	0	In use		N	Y
29	17222000025408	Terminal board subassembly	1		In use			
29.1	17400401000016	Terminal	1		In use			
29.1	17400401000098	Terminal	1		In use			
29.2	12222000012265	Terminal instalation subassembly	1		In use			
30	15123000008516	Suction pipe assembly	1		In use			
30.1	17400516000008	Pressure switch	1	0	In use		N	Y
31	17400306000183	Reactor	3		In use			
32	12222000006285	Inductor Cover Assembly	2		In use			
33	12222000006292	Installtation base of inductance	2		In use			
34	12222000006284	Inductor Box subassembly	1		In use			
35	12222000006286	Installtation base of inductance	1		In use			